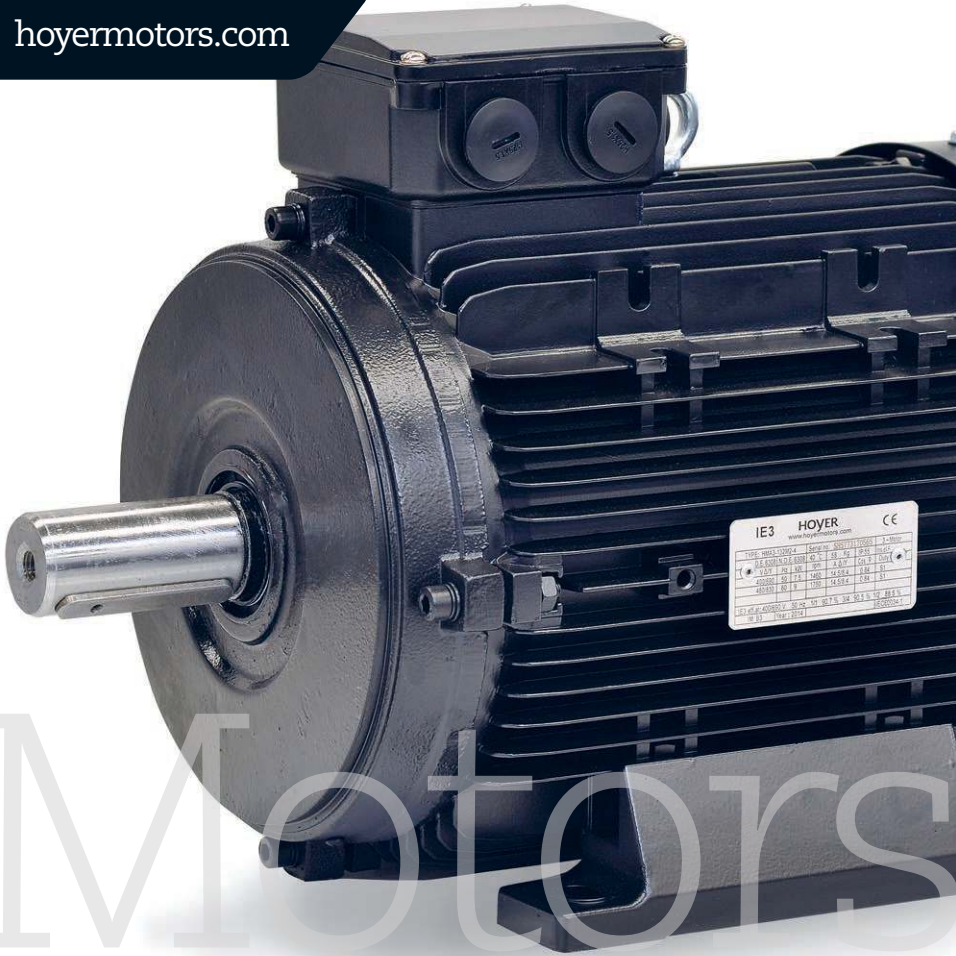


Electric Motors

IE3 Motors

hoyermotors.com



IE3 Motors

HOYER
MOTORS

Behind Hoyer Motors



HOYER

EXCEEDING EXPECTATIONS

Hoyer Motors is an international supplier of high-end electric motors. Headquartered in Denmark and China, we are represented through sales offices and distributors worldwide. We pride ourselves of being an elite manufacturing enterprise with the highest attention to service and flexibility – a company where dedication, competitiveness and reliability are second to none.

We have selected focus on the markets Marine, Industry, HVAC, Industrial Pumps, Oil & Gas, Wind and HPU. Through strong partnerships with market leading industrial OEM's within these segments, we are able to offer a unique setup and industrial insight. We add value by understanding the business and markets of our customers.

At Hoyer Motors, meeting agreements is as natural as breathing air. We believe in trustworthy partnerships with our customers and always meet our obligations on deliveries, documentation and product quality. This is what we mean by Exceeding Expectations.

General information about Hoyer IE3 electric motors

Hoyer IE3 electric motors are manufactured according to international standards under IEC 60034-30 and are fulfilling the requirement of the EC Directive 2009/125 (ecodesign for energy-related products).

Hoyer motors are installed in many different fields all over the world and has a proven quality, reliability and performance.

Technical information

Totally enclosed squirrel cage, TEFC, three phase motors type HMA3 (aluminum) in size 56 to 132 (size 160 and 180 on request) and type HMC3 (cast iron) in size 160 to 400 (below size 160 and bigger than size 400 on request).

Rotor is casted with 100% pure aluminum and shaft is made of high quality C45 steel.

All cast iron and aluminum motors are provided with SKF or similar premium quality bearings. All sizes have fixed bearing in drive-end as standard. Motors size ≤ 180 are with closed bearings greased for life.

Stator winding is made with double coated copper wire and phase to phase insulation. The insulation system is Class F, maximum 105K temperature rise at 40°C ambient temperature.

Class H insulation system can be delivered on request.

All motors are manufactured according to IEC 60034, IEC60072, EN50347 and tested according to IEC60034-2-1.

Rotor is dynamically balanced with half key to fulfill vibration level IEC60034-14 grade A.

Sound level within limits of IEC60034-9.

Standard voltages:

400V Y – Hoyer IE3 Motors ≤ 3 kW

400V D – Hoyer IE3 Motors > 3 kW

Other voltages can be supplied on request.

All Hoyer IE3 motors are with PTC terminal protection. Motors can be modified with bimetal detector, heating elements for stand still protection and PT100 for both winding and bearings on request.

All Hoyer IE3 Motors are as standard IP55, prepared for drain holes. Higher protection class on request.

All motors are delivered with blind caps in the terminal box.

Motor size ≥ 100 are supplied with eyebolts for lifting.

Hoyer IE3 motors are painted C3L according to ISO 12944-5:2018 in color RAL 9005 low gloss.

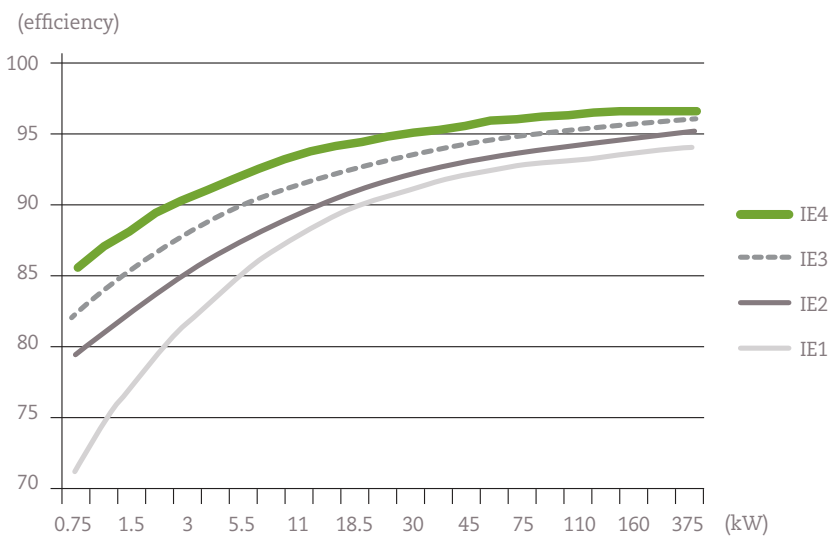
Hoyer IE3 Electric Motors

Energy efficiency and MEPS

Energy efficiency is a main focus area related to CO2 emissions and industrial pollution. Across borders legislation and Minimum Energy Performance Standards (MEPS) are put into force to improve the efficiency of electric motors. The European MEPS is defined in the Ecodesign directive and Hoyer IE3 fulfils these future regulations. In theory a higher motor efficiency will result in electrical energy savings.

In addition to lower emissions the financial return of investment is also considerable. With a service life of 10-15 years the energy consumption of an electric motor often accounts for more than 90% of the total cost of ownership.

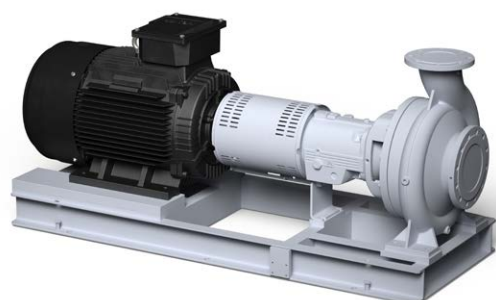
Efficiency curves for IE4, IE3, IE2 and IE1 4 pole 50Hz electric motors



Application information

Hoyer IE3 electric motors are used within a wide variety of applications. Some of the typical applications are:

- Fans and HVAC
- Hydraulics
- Pumps
- Compressors and cooling



Bearings

Motor type	Drive End		None drive end	
	2 pole	4,6,8 pole	2 pole	4,6,8 pole
HMA3 80	6204-2Z/C3		6204-2Z/C3	
HMA3 90	6205-2Z/C3		6205-2Z/C3	
HMA3 100	6206-2Z/C3		6206-2Z/C3	
HMA3 112	6306-2Z/C3		6306-2Z/C3	
HMA3 132	6308-2Z/C3		6308-2Z/C3	
HMA3 160	6309-2Z/C3		6309-2Z/C3	
HMC3 160	6309-2Z/C3		6309-2Z/C3	
HMC3 180	6311-2Z/C3		6311-2Z/C3	
HMC3 200	6312/C3		6312/C3	
HMC3 225	6312/C3	6313/C3	6312/C3	
HMC3 250	6313/C3	6314/C3	6313/C3	
HMC3 280	6314/C3	6317/C3	6314/C3	
HMC3 315	6317/C3	6319/C3 NU319	6317/C3	6319/C3
HMC3 355	6319/C3	6322/C3 NU322	6319/C3	6322/C3

Terminal box

Motor type	Main Blindcaps	Ass. Blindcaps
HMA3 80	2xM20x1,5	/
HMA3 90	2xM20x1,5	/
HMA3 100	2xM20x1,5	1xM20x1,5
HMA3 112	2xM20x1,5	1xM20x1,5
HMA3 132	2xM25x1,5	1xM20x1,5
HMA3 160	2xM40x1,5	2xM20x1,5
HMC3 160	2xM40x1,5	2xM20x1,5
HMC3 180	2xM40x1,5	2xM20x1,5
HMC3 200	2xM50x1,5	2xM20x1,5
HMC3 225	2xM50x1,5	2xM20x1,5
HMC3 250	2xM63x1,5	2xM20x1,5
HMC3 280	2xM63x1,5	2xM20x1,5
HMC3 315	2xM63x1,5	2xM20x1,5
HMC3 355	2xM72x2,0	2xM20x1,5

Supply by frequency converter

Hoyer IE3 motors are as standard prepared for frequency converter (VFD) duty. By using a Hoyer IE3 motor together with a premium VFD there can be several benefits including better process control, energy savings and a reduced starting current. It can further reduce stress on mechanical equipment and the electrical supply network.

Depending on the customer application Hoyer Motors refers to IEC 60034-17 and IEC TS 60034-25 when operating an electric motor with a VFD. Several parameters are to be considered.

- VFD output voltages spike levels
- VFD filters
- VFD switching frequency
- Motor insulation system
- Motor bearings e.g. current insulated bearings

A switching frequency of 2-8 kHz is recommended to ensure the best motor insulation system lifetime.

Hoyer Drives & Controls offers complete motor and VFD solutions including integrated and stand-alone drives.

Hoyer IE3 Electric Motors

Rating plate

Name plate

IE3		HOYER				CE	
www.hoyermotors.com							
Type: HMC3 280M-4			Serial no.:SH			3~Motor	
D.E.6317	N.D.E. 6314		40 °C	660Kg	IP55	Ins.cl.F	
V.Δ/Y	Hz	KW	rpm	A.Δ/Y	Cosφ	Duty	
400/690	50	90	1480	153/88	0.90	S1	
480/830	60	108	1780	153/88	0.90	S1	
IE3 eff.at: 400/690V 50Hz		1/1: 95.4%		3/4:95.8%		1/2:94.8%	
IM:B3	Year: 2021					IEC 60034-1	

Rating tables

Rating factors for power output kW at different ambient temperatures and altitudes are found below.

Ambient temperature

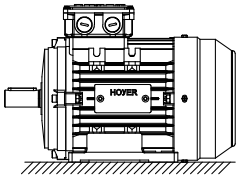
Amb. temp.	30°C	35°C	40°C	45°C	50°C	55°C	60°C
P/P _N	1,05	1,02	1,00	0,97	0,93	0,87	0,82

Altitude

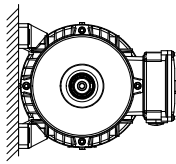
Altitude	1000m	1500m	2000m	2500m	3000m	3500m	4000m
P/P _N	1,00	0,98	0,95	0,91	0,87	0,83	0,78

Hoyer IE3 Electric Motors

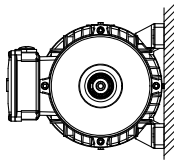
B3



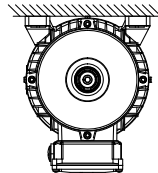
B6



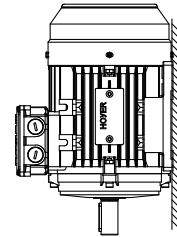
B7



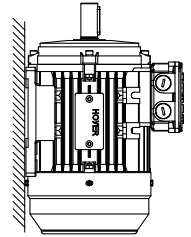
B8



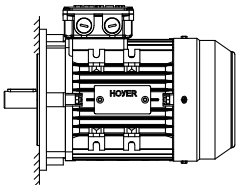
V5



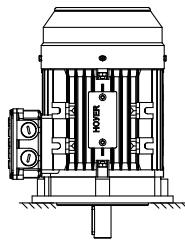
V6



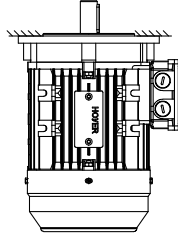
B5



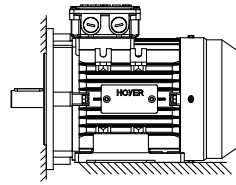
V1



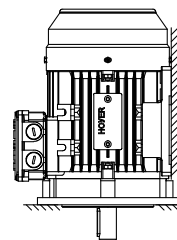
V3



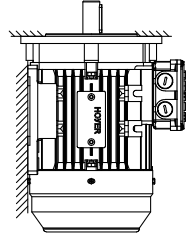
B35



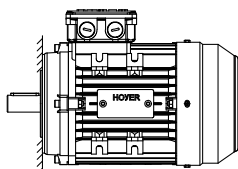
V15



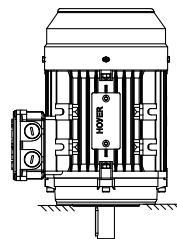
V35



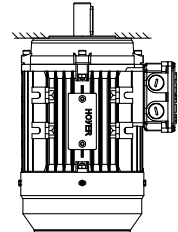
B14



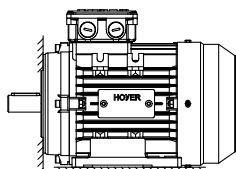
V18



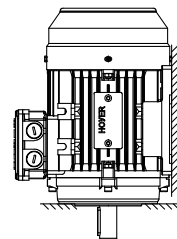
V19



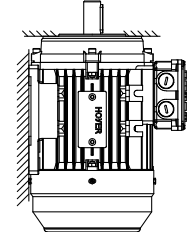
B34



V17



V37



*Important notice: V3 mounting with standard housing only accepted up to frame size 250. Motors frame size 280 and up need special housing and flange.

IE3 / 2 pole

Motor type	Power kw	Speed rpm	Current at 400V		Efficiency (%)			Pf cos φ	Torque			IM J(kgm ²)	Weight kg
			I _N (A)	I _s /I _N	1/1 load	3/4 load	1/2 load		T _N	T _s /T _N	T _M /T _N		

Aluminium motors

HMA3 80 1-2	0,75	2910	1,74	8,35	80,7	81,0	78,9	0,77	2,48	2,95	3,30	0,00099	9,50
HMA3 80 2-2	1,10	2910	2,40	8,60	82,7	83,3	81,9	0,80	3,65	3,40	3,60	0,00134	10,5
HMA3 90S-2	1,50	2920	3,10	9,05	84,2	84,7	83,2	0,82	4,90	2,80	3,00	0,00224	15,0
HMA3 90L-2	2,20	2920	4,40	9,10	85,9	86,8	86,2	0,84	7,20	3,25	3,50	0,00278	19,0
HMA3 100L-2	3,00	2910	5,70	9,25	87,1	87,6	86,5	0,87	9,85	3,45	3,60	0,00444	25,0
HMA3 112M-2	4,00	2910	7,15	8,70	88,1	88,5	87,5	0,92	13,2	2,60	3,00	0,00701	34,0
HMA3 132S1-2	5,50	2930	9,85	9,05	89,2	89,1	87,4	0,90	18,0	2,48	2,80	0,01410	49,5
HMA3 132S2-2	7,50	2930	13,6	9,25	90,1	90,2	89,0	0,88	24,4	2,80	3,00	0,01688	55,0
HMA3 160M1-2	11,0	2950	19,4	8,45	91,2	91,3	90,1	0,89	35,5	2,46	3,20	0,05620	99,0
HMA3 160M2-2	15,0	2950	26,0	8,45	91,9	91,9	90,8	0,90	48,5	2,44	3,40	0,06610	108
HMA3 160L-2	18,5	2960	32,0	10,20	92,4	92,4	91,3	0,91	60,0	2,95	3,80	0,08330	118

Cast iron motors

HMC3 160M1-2	11,0	2950	19,4	8,95	91,2	91,3	90,1	0,90	35,5	2,50	3,50	0,05620	123
HMC3 160M2-2	15,0	2950	26,0	9,95	91,9	91,9	90,8	0,91	48,5	2,95	3,90	0,06610	140
HMC3 160L-2	18,5	2960	32,0	10,6	92,4	92,4	91,3	0,91	60,0	3,20	4,30	0,08330	159
HMC3 180M-2	22,0	2960	38,0	10,0	92,7	92,4	90,9	0,90	71,0	4,10	4,10	0,13050	204
HMC3 200L1-2	30,0	2970	51,0	8,55	93,3	93,5	92,1	0,91	96,5	2,90	3,05	0,18260	247
HMC3 200L2-2	37,0	2970	62,5	9,05	93,7	93,7	92,7	0,91	118	3,65	3,65	0,21540	266
HMC3 225M-2	45,0	2970	76,0	8,70	94,0	93,9	92,9	0,91	144	3,25	3,45	0,34250	336
HMC3 250M-2	55,0	2980	94,0	10,8	94,3	93,9	92,6	0,90	176	3,40	3,95	0,46120	408
HMC3 280S-2	75,0	2980	128	7,40	94,7	94,4	93,2	0,90	240	2,40	3,25	0,76090	604
HMC3 280M-2	90,0	2980	146	8,05	95,0	95,1	94,4	0,91	290	2,80	2,75	0,89040	637
HMC3 315S-2	110	2980	180	7,40	95,2	95,1	94,4	0,93	355	2,10	2,80	1,70570	914
HMC3 315M-2	132	2970	216	7,00	95,4	95,6	95,2	0,93	425	2,02	2,70	1,92280	1012
HMC3 315L1-2	160	2970	260	6,50	95,6	95,8	95,5	0,94	515	1,88	2,70	2,10890	1046
HMC3 315L2-2	200	2980	330	8,60	95,8	95,6	94,6	0,92	640	2,08	2,80	2,60510	1147
HMC3 355M-2	250	2980	415	6,70	95,8	96,0	95,5	0,90	800	1,72	2,30	3,58980	1717
HMC3 355L1-2	315	2980	520	6,60	95,8	96,2	96,0	0,91	1000	1,68	2,30	4,20270	1830

Data at 400V 50Hz

At 230V 50Hz the current is $\sqrt{3}$ x current at 400V and at 690V the current is current at 400V / $\sqrt{3}$. All other data are identical.

IE3 / 4 pole

Motor type	Power kw	Speed rpm	Current at 400V		Efficiency (%)			Pf cos ϕ	Torque			IM J(kgm ²)	Weight kg
			I _N (A)	I _s /I _N	1/1 load	3/4 load	1/2 load		T _N	T _s /T _N	T _M /T _N		

Aluminium motors

HMA3 80 2-4	0,75	1440	1,80	6,65	82,5	82,9	81,0	0,73	4,95	2,95	3,30	0,00265	12,0
HMA3 90S-4	1,10	1450	2,48	8,05	84,1	83,9	81,3	0,76	7,25	2,85	3,00	0,00372	17,0
HMA3 90L-4	1,50	1450	3,40	8,20	85,3	85,0	82,5	0,74	9,85	2,85	3,00	0,00486	22,0
HMA3 100L1-4	2,20	1460	4,55	8,15	86,7	86,9	85,3	0,80	14,4	3,00	3,30	0,00934	27,0
HMA3 100L2-4	3,00	1460	6,15	9,05	87,7	87,9	86,4	0,80	19,6	3,50	3,80	0,01153	33,0
HMA3 112M-4	4,00	1460	7,85	9,35	88,6	89,1	88,2	0,83	26,0	3,10	3,30	0,01625	41,0
HMA3 132S-4	5,50	1460	10,8	8,75	89,6	89,9	88,9	0,82	36,0	2,80	3,00	0,03446	53,0
HMA3 132M-4	7,50	1460	14,0	8,80	90,4	91,1	90,8	0,85	49,0	2,90	3,00	0,04368	62,0
HMA3 160M-4	11,0	1480	20,8	8,10	91,4	91,9	89,9	0,82	71,0	2,80	3,40	0,10550	111
HMA3 160L-4	15,0	1470	28,5	8,90	92,1	92,4	91,8	0,83	97,5	3,00	3,40	0,13430	117

Cast iron motors

HMC3 160M-4	11,0	1470	20,8	8,20	91,4	91,9	89,9	0,83	71,5	2,90	3,65	0,10550	131
HMC3 160L-4	15,0	1470	28,5	9,05	92,1	92,4	91,8	0,83	97,0	3,15	3,40	0,13430	151
HMC3 180M-4	18,5	1470	32,5	8,15	92,6	93,2	91,8	0,88	120	2,65	3,45	0,18730	189
HMC3 180L-4	22,0	1470	38,5	8,60	93,0	93,6	92,4	0,88	142	2,80	3,55	0,23410	215
HMC3 200L-4	30,0	1480	53,0	8,20	93,6	93,7	93,0	0,87	194	2,90	3,25	0,40950	290
HMC3 225S-4	37,0	1480	66,0	7,90	93,9	94,2	93,8	0,86	238	3,05	3,30	0,60700	326
HMC3 225M-4	45,0	1480	77,5	7,50	94,2	94,7	93,5	0,88	290	2,60	2,85	0,68980	350
HMC3 250M-4	55,0	1480	96,0	8,50	94,6	94,6	93,9	0,88	355	3,00	3,10	1,01480	486
HMC3 280S-4	75,0	1490	124	7,25	95,0	94,8	93,8	0,88	480	2,28	2,80	1,73680	594
HMC3 280M-4	90,0	1490	150	8,00	95,2	95,5	94,5	0,90	580	2,55	2,80	2,10890	694
HMC3 315S-4	110	1490	186	8,25	95,4	95,4	94,1	0,90	705	2,60	2,70	3,33250	912
HMC3 315M-4	132	1490	220	8,10	95,6	95,7	94,2	0,91	845	2,50	2,80	3,90700	1032
HMC3 315L1-4	160	1490	265	7,80	95,8	96,1	95,2	0,92	1020	2,26	2,70	4,59650	1115
HMC3 315L2-4	200	1490	325	7,25	96,0	96,2	95,4	0,93	1280	2,08	2,50	5,74560	1253
HMC3 355M-4	250	1490	415	6,45	96,0	96,1	95,6	0,90	1600	1,86	2,30	9,40970	1793
HMC3 355L-4	315	1490	530	7,50	96,0	95,9	95,1	0,90	2020	2,30	2,50	10,7819	1853

Data at 400V 50Hz

At 230V 50Hz the current is $\sqrt{3}$ x current at 400V and at 690V the current is current at 400V / $\sqrt{3}$. All other data are identical.

IE3 / 6 pole

Motor type	Power kw	Speed rpm	Current at 400V		Efficiency (%)			Pf cos φ	Torque			IM J(kgm ²)	Weight kg
			I _N (A)	I _g /I _N	1/1 load	3/4 load	1/2 load		T _N	T _g /T _N	T _M /T _N		

Aluminium motors

HMA3 90S-6	0,75	960	2,02	5,70	78,9	78,3	74,6	0,68	7,45	2,28	2,50	0,00481	16,0
HMA3 90L-6	1,10	960	2,85	6,05	81,0	80,3	76,8	0,68	11,0	2,60	3,00	0,00683	21,0
HMA3 100L-6	1,50	960	3,80	5,90	82,5	82,4	79,9	0,69	14,8	2,55	2,80	0,01249	25,0
HMA3 112M-6	2,20	970	5,65	5,95	84,3	84,1	81,7	0,67	21,8	2,24	3,00	0,01701	35,0
HMA3 132S-6	3,00	980	6,85	7,60	85,6	85,0	82,3	0,74	29,5	2,10	2,20	0,03683	45,0
HMA3 132M1-6	4,00	970	8,75	7,60	86,8	86,7	84,8	0,76	39,0	2,14	2,20	0,04843	53,0
HMA3 132M2-6	5,50	970	11,8	8,35	88,0	88,0	86,4	0,76	54,0	2,44	2,46	0,06322	62,0
HMA3 160M-6	7,50	970	14,8	5,85	89,1	90,0	88,1	0,82	73,5	2,02	2,16	0,12460	123
HMA3 160L-6	11,0	970	21,2	6,35	90,3	91,3	91,1	0,82	108	2,12	2,65	0,16080	138

Cast iron motors

HMC3 160M-6	7,50	970	14,8	5,85	89,1	90,0	88,1	0,82	73,5	1,98	2,16	0,12460	154
HMC3 160L-6	11,0	970	21,2	6,10	90,3	91,3	91,1	0,83	108	2,00	2,50	0,16080	170
HMC3 180L-6	15,0	980	29,0	7,75	91,2	91,6	90,8	0,82	146	2,10	2,60	0,28400	203
HMC3 200L1-6	18,5	980	37,0	6,50	91,7	91,7	89,1	0,78	180	2,08	2,60	0,41790	241
HMC3 200L2-6	22,0	980	44,0	6,95	92,2	92,2	89,9	0,79	214	2,04	2,55	0,48220	256
HMC3 225M-6	30,0	990	58,0	6,10	92,9	93,2	92,5	0,81	290	2,04	2,30	0,68240	322
HMC3 250M-6	37,0	980	65,5	6,95	93,3	93,7	92,0	0,87	360	2,34	2,36	1,16200	405
HMC3 280S-6	45,0	990	82,0	6,70	93,7	93,8	91,9	0,84	435	2,24	2,30	1,87950	521
HMC3 280M-6	55,0	990	98,5	6,45	94,1	94,3	92,6	0,86	530	2,04	2,30	2,26400	570
HMC3 315S-6	75,0	990	132	5,80	94,6	94,9	94,4	0,87	725	2,00	2,30	4,24010	941
HMC3 315M-6	90,0	990	156	5,70	94,9	95,5	94,8	0,88	870	1,86	2,20	4,61870	1021
HMC3 315L1-6	110	990	192	6,95	95,1	95,3	93,9	0,87	1060	2,36	2,60	5,90590	1094
HMC3 315L2-6	132	990	226	6,75	95,4	95,9	95,0	0,88	1280	2,20	2,40	7,11730	1216
HMC3 355M1-6	160	990	275	5,50	95,6	95,9	94,7	0,89	1540	2,00	2,20	9,92910	1591
HMC3 355M2-6	200	990	340	6,05	95,8	96,0	94,8	0,89	1940	2,00	2,20	12,2582	1642
HMC3 355L2-6	250	990	420	5,30	95,8	96,0	95,0	0,90	2420	2,00	2,20	15,9356	1744

Data at 400V 50Hz

At 230V 50Hz the current is $\sqrt{3}$ x current at 400V and at 690V the current is current at 400V / $\sqrt{3}$. All other data are identical.

IE3 / 8 pole

Motor type	Power kw	Speed rpm	Current at 400V		Efficiency (%)			Pf cos ϕ	Torque			IM J(kgm ²)	Weight kg
			I _N (A)	I _s /I _N	1/1 load	3/4 load	1/2 load		T _N	T _s /T _N	T _M /T _N		

Aluminium motors

HMA3 100L1-8	0,75	720	2,28	5,20	75,0	73,7	69,2	0,63	9,95	2,16	3,10	0,01083	37,0
HMA3 100L2-8	1,10	720	3,20	5,30	77,7	75,9	71,3	0,64	14,60	2,18	3,10	0,01345	42,5
HMA3 112M-8	1,50	700	3,85	4,80	79,7	80,2	78,6	0,71	20,40	2,32	2,80	0,01834	49,0
HMA3 132S-8	2,20	720	5,60	6,30	81,9	81,9	80,0	0,69	29,00	2,60	3,30	0,04720	56,0
HMA3 132M-8	3,00	720	7,25	6,60	83,5	83,8	82,2	0,72	39,50	2,85	3,25	0,05323	68,0

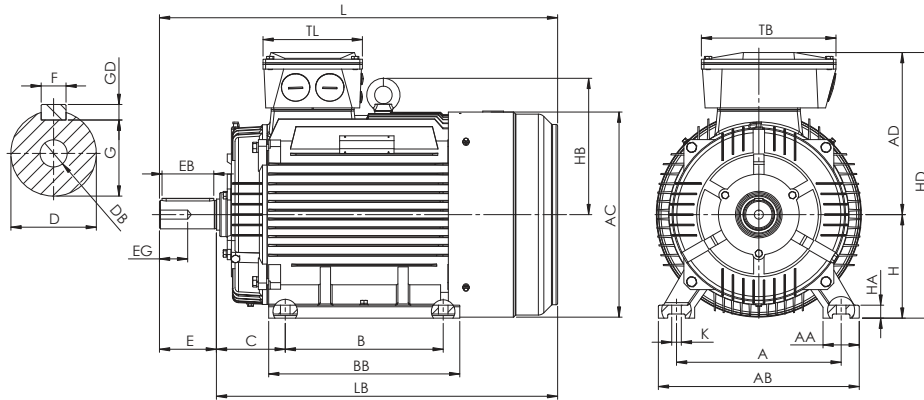
Cast iron motors

HMC3 160M1-8	4,00	720	9,60	5,80	84,8	85,3	84,1	0,71	53,0	2,50	2,85	0,08655	123
HMC3 160M2-8	5,50	720	12,4	6,05	86,2	86,9	85,8	0,74	73,0	2,55	2,75	0,10619	130
HMC3 160L-8	7,50	720	16,8	6,50	87,3	87,7	86,6	0,74	99,0	2,65	2,85	0,14356	157
HMC3 180L-8	11,0	730	24,4	6,50	88,6	89,0	87,8	0,73	144	2,55	2,65	0,20694	186
HMC3 200L-8	15,0	730	33,0	6,70	89,6	89,9	88,7	0,74	196	2,60	2,65	0,33733	236
HMC3 225S-8	18,5	730	39,0	6,70	90,1	90,6	90,0	0,76	240	2,08	2,60	0,53046	271
HMC3 225M-8	22,0	730	45,5	6,95	90,6	91,2	90,8	0,77	285	2,18	2,55	0,62124	317
HMC3 250M-8	30,0	730	58,5	5,70	91,3	91,5	90,5	0,81	390	1,98	2,65	0,89910	448
HMC3 280S-8	37,0	740	72,5	5,75	91,8	92,3	91,6	0,80	480	2,16	2,38	1,53696	545
HMC3 280M-8	45,0	740	89,0	6,70	92,2	92,5	91,3	0,79	585	1,90	2,00	1,83686	564
HMC3 315S-8	55,0	740	106	6,80	92,5	92,8	91,8	0,81	715	1,80	2,00	3,44818	902
HMC3 315M-8	75,0	740	142	6,00	93,1	93,2	92,4	0,82	970	1,94	2,26	4,60014	1007
HMC3 315L1-8	90,0	740	170	6,40	93,4	93,6	92,8	0,82	1160	1,80	2,00	5,39379	1060
HMC3 315L2-8	110	740	206	6,40	93,7	93,9	92,9	0,82	1420	1,80	2,00	6,26884	1111
HMC3 355M1-8	132	740	248	6,40	94,0	94,1	93,2	0,82	1700	1,80	2,00	9,17963	1514
HMC3 355M2-8	160	740	300	6,40	94,3	94,6	93,4	0,82	2060	1,80	2,00	10,3313	1641
HMC3 355L-8	200	740	370	6,40	94,6	94,7	93,8	0,83	2550	1,80	2,00	12,5299	1714

Data at 400V 50Hz

At 230V 50Hz the current is $\sqrt{3}$ x current at 400V and at 690V the current is current at 400V / $\sqrt{3}$. All other data are identical.

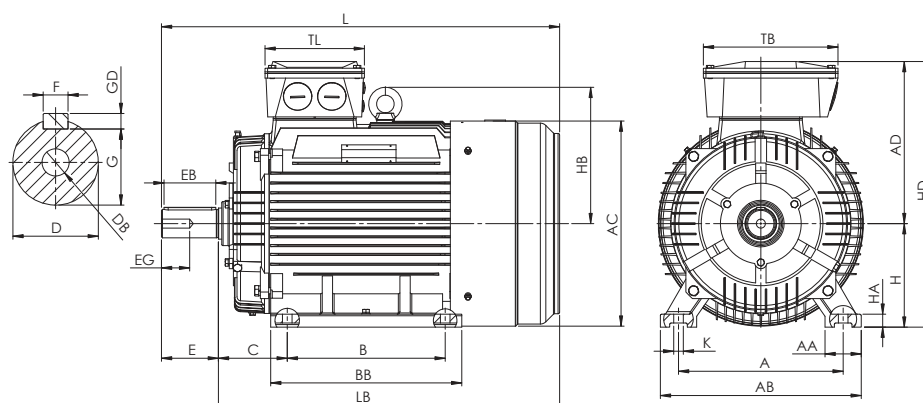
IE3 / B3



Motor type	Pole	A	AA	AB	AC	AD	B	BB	C	D	DB	E	EB	EG	F	G	GD	H	HA	HB	HD	K	L	LB	TB	TL
------------	------	---	----	----	----	----	---	----	---	---	----	---	----	----	---	---	----	---	----	----	----	---	---	----	----	----

Aluminium motors

HMA3 80	All	125	27	160	159	126	100	122	50	19	M6	40	32	16	6	15,5	6	80	12	-	206	10	298	258	100	100
HMA3 90S	All	140	35	177	175	132	100	155	56	24	M8	50	40	24	8	20	7	90	13	-	222	10	328	278	100	100
HMA3 90L	2	140	35	177	175	132	125	155	56	24	M8	50	40	24	8	20	7	90	13	-	222	10	362	312	100	100
HMA3 90L	4,6	140	35	177	175	132	125	155	56	24	M8	50	40	24	8	20	7	90	13	-	222	10	362	312	100	100
HMA3 100L	All	160	42	205	198	147	140	176	63	28	M10	60	50	28	8	24	7	100	12	135	247	12	406	346	100	100
HMA3 112M	2,6,8	190	45	222	219	168	140	180	70	28	M10	60	50	28	8	24	7	112	13	145	280	12	390	330	120	120
HMA3 112M	4	190	45	222	219	168	140	180	70	28	M10	60	50	28	8	24	7	112	13	145	280	12	430	370	120	120
HMA3 132S	All	216	50	256	258	187	140	180	89	38	M12	80	70	30	10	33	8	132	16,5	165	319	12	463	383	120	120
HMA3 132M	4,6,8	216	50	256	258	187	178	218	89	38	M12	80	70	30	10	33	8	132	16,5	165	319	12	501	421	120	120
HMA3 160M	2	254	55	302	314	245	210	260	108	42	M16	110	100	36	12	37	8	160	18	148	405	16	619	509	160	150
HMA3 160M	4,6,8	254	55	302	314	245	210	260	108	42	M16	110	100	36	12	37	8	160	18	148	405	16	619	509	160	150
HMA3 160L	2	254	55	302	314	245	254	304	108	42	M16	110	100	36	12	37	8	160	18	148	405	16	663	553	160	150
HMA3 160L	4,6,8	254	55	302	314	245	254	304	108	42	M16	110	100	36	12	37	8	160	18	148	405	16	663	553	160	150

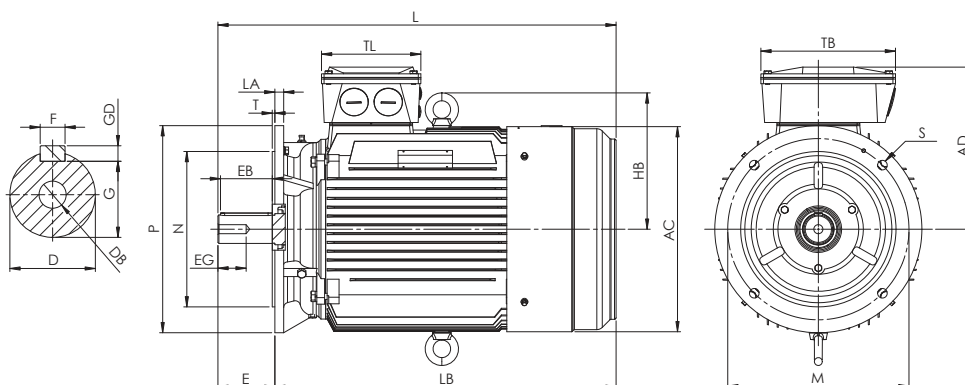


Motor type	Pole	A	AA	AB	AC	AD	B	BB	C	D	DB	E	EB	EG	F	G	GD	H	HA	HB	HD	K	L	LB	TB	TL
------------	------	---	----	----	----	----	---	----	---	---	----	---	----	----	---	---	----	---	----	----	----	---	---	----	----	----

Cast iron motors

HMC3 160M	All	65	254	314	313	276	210	260	108	42	M16	110	100	36	12	37	8	160	20	221	436	14,5	610	500	218	162
HMC3 160L	All	65	254	314	313	276	254	304	108	42	M16	110	100	36	12	37	8	160	20	221	436	14,5	654	544	218	162
HMC3 180M	All	70	279	349	354	292	241	311	121	48	M16	110	100	40	14	42,5	9	180	22	237	472	14,5	686	576	218	162
HMC3 180L	All	70	279	349	354	292	279	349	121	48	M16	110	100	40	14	42,5	9	180	22	237	472	14,5	724	614	218	162
HMC3 200L	All	70	318	388	396	313	305	369	133	55	M20	110	100	50	16	49	10	200	25	264	513	18,5	769	659	260	192
HMC3 225S	4,6,8	75	356	431	445	336	286	369	149	60	M20	140	130	56	18	53	11	225	28	285	561	18,5	823	683	260	192
HMC3 225M	2	75	356	431	445	336	311	393	149	55	M20	110	100	56	16	49	10	225	28	285	561	18,5	818	708	260	192
HMC3 225M	4,6,8	75	356	431	445	336	311	393	149	60	M20	140	130	56	18	53	11	225	28	285	561	18,5	848	708	260	192
HMC3 250M	2	80	406	484	484	374	349	445	168	60	M20	140	130	56	18	53	11	250	30	316	624	24	909	769	305	230
HMC3 250M	4,6,8	80	406	484	484	374	349	445	168	65	M20	140	130	56	18	58	11	250	30	316	624	24	909	769	305	230
HMC3 280S	2	85	457	542	546	403	368	485	190	65	M20	140	130	56	18	58	11	280	35	361	683	24	959	819	305	230
HMC3 280S	4,6,8	85	457	542	546	403	368	485	190	75	M20	140	130	56	20	67,5	12	280	35	361	683	24	979	839	305	230
HMC3 280M	2	85	457	542	546	403	419	536	190	65	M20	140	130	56	18	58	11	280	35	361	683	24	1010	870	305	230
HMC3 280M	4,6,8	85	457	542	546	403	419	536	190	75	M20	140	130	56	20	67,5	12	280	35	361	683	24	1030	890	305	230
HMC3 315S	2	120	508	628	618	546	406	570	216	65	M20	140	130	56	18	58	11	315	45	430	862	28	1193	1053	420	299
HMC3 315S	4,6,8	120	508	628	618	547	406	570	216	80	M20	170	160	56	22	71	14	315	45	430	862	28	1223	1053	420	299
HMC3 315M	2	120	508	628	618	546	457	680	216	65	M20	140	130	56	18	58	11	315	45	430	861	28	1303	1163	420	299
HMC3 315M	4,6,8	120	508	628	618	546	457	680	216	80	M20	170	160	56	22	71	14	315	45	430	861	28	1333	1163	420	299
HMC3 315L	2	120	508	628	618	546	508	680	216	65	M20	140	130	56	18	58	11	315	45	430	861	28	1303	1163	420	299
HMC3 315L	4,6,8	120	508	628	618	546	508	680	216	80	M20	170	160	56	22	71	14	315	45	430	861	28	1333	1163	420	299
HMC3 355M	2	116	610	726	699	664	560	750	254	75	M24	140	130	56	20	67,5	12	355	52	489,5	1019	28	1507	1367	460	330
HMC3 355M	4,6,8	116	610	726	699	664	560	750	254	95	M24	170	160	56	25	86	14	355	52	489,5	1019	28	1537	1367	460	330
HMC3 355L	2	116	610	726	699	664	630	750	254	75	M24	140	130	56	20	67,5	12	355	52	489,5	1019	28	1507	1367	460	330
HMC3 355L	4,6,8	116	610	726	699	664	630	750	254	95	M24	170	160	56	25	86	14	355	52	489,5	1019	28	1537	1367	460	330

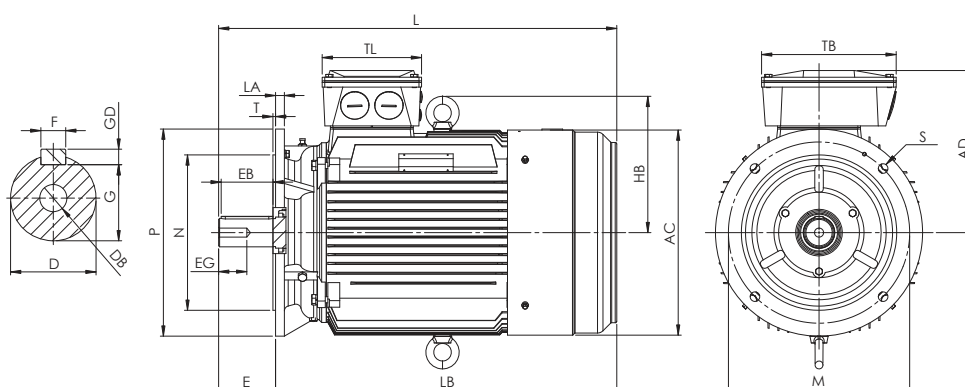
IE3 / B5



Motor type	Pole	AC	AD	L	LB	HB	TL	TB	D	E	F	G	GD	EB	EG	DB	M	N	P	S	T	LA
------------	------	----	----	---	----	----	----	----	---	---	---	---	----	----	----	----	---	---	---	---	---	----

Aluminium motors

HMA3 80	All	159	126	298	258	-	100	100	19	40	6	15,5	6	32	16	M6	165	130	200	4-Ø12	3,5	10
HMA3 90S	All	175	132	328	278	-	100	100	24	50	8	20	7	40	24	M8	165	130	200	4-Ø12	3,5	10
HMA3 90L	2,4,6	175	132	362	312	-	100	100	24	50	8	20	7	40	24	M8	165	130	200	4-Ø12	3,5	10
HMA3 100L	All	198	147	406	346	135	100	100	28	60	8	24	7	50	28	M10	215	180	250	4-Ø14,5	4	14
HMA3 112M	2,6,8	219	168	390	330	145	120	120	28	60	8	24	7	50	28	M10	215	180	250	4-Ø14,5	4	14
HMA3 112M	4	219	168	430	370	145	120	120	28	60	8	24	7	50	28	M10	215	180	250	4-Ø14,5	4	14
HMA3 132S	All	258	187	463	383	165	120	120	38	80	10	33	8	70	30	M12	265	230	300	4-Ø14,5	4	15
HMA3 132M	All	258	187	501	421	165	120	120	38	80	10	33	8	70	30	M12	265	230	300	4-Ø14,5	4	15
HMA3 160M	All	314	245	619	509	148	150	160	42	110	12	37	8	100	36	M16	300	250	350	4-Ø18,5	5	15
HMA3 160L	All	314	245	663	553	148	150	160	42	110	12	37	8	100	36	M16	300	250	350	4-Ø18,5	5	15

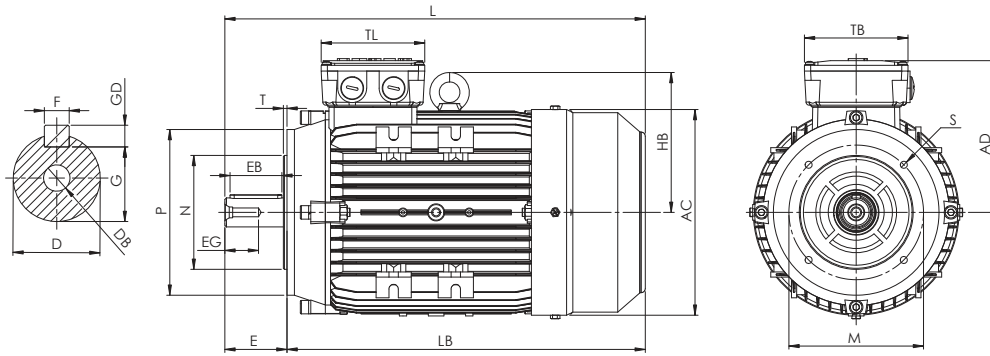


Motor type	Pole	AC	AD	L	LB	HB	TL	TB	D	E	F	G	GD	EB	EG	DB	M	N	P	S	T	LA
------------	------	----	----	---	----	----	----	----	---	---	---	---	----	----	----	----	---	---	---	---	---	----

Cast iron motors

HMC3 160M	All	313	276	610	500	221	162	218	42	110	12	37	8	100	36	M16	300	250	350	4-Ø18,5	5	14
HMC3 160L	All	313	276	654	544	221	162	218	42	110	12	37	8	100	36	M16	300	250	350	4-Ø18,5	5	14
HMC3 180M	All	354	292	686	576	237	162	218	48	110	14	42,5	9	100	40	M16	300	250	350	4-Ø18,5	5	15
HMC3 180L	All	354	292	724	614	237	162	218	48	110	14	42,5	9	100	40	M16	300	250	350	4-Ø18,5	5	15
HMC3 200L	All	396	313	769	659	264	192	260	55	110	16	49	10	100	50	M20	350	300	400	4-Ø18,5	5	17
HMC3 225S	4,6,8	445	336	823	683	285	192	260	60	140	18	53	11	130	56	M20	400	350	450	8-Ø18,5	5	20
HMC3 225M	2	445	336	818	708	285	192	260	55	110	16	49	10	100	56	M20	400	350	450	8-Ø18,5	5	20
HMC3 225M	4,6,8	445	336	848	708	285	192	260	60	140	18	53	11	130	56	M20	400	350	450	8-Ø18,5	5	20
HMC3 250M	2	484	374	909	769	316	230	305	60	140	18	53	11	130	56	M20	500	450	550	8-Ø18,5	5	22
HMC3 250M	4,6,8	484	374	909	769	316	230	305	65	140	18	58	11	130	56	M20	500	450	550	8-Ø18,5	5	22
HMC3 280S	2	546	403	959	819	361	230	305	65	140	18	58	11	130	56	M20	500	450	550	8-Ø18,5	5	22
HMC3 280S	4,6,8	546	403	979	839	361	230	305	75	140	20	67,5	12	130	56	M20	500	450	550	8-Ø18,5	5	22
HMC3 280M	2	546	403	1010	870	361	230	305	65	140	18	58	11	130	56	M20	500	450	550	8-Ø18,5	5	22
HMC3 280M	4,6,8	546	403	1030	890	361	230	305	75	140	20	67,5	12	130	56	M20	500	450	550	8-Ø18,5	5	22
HMC3 315S	2	618	546	1193	1053	430	299	420	65	140	18	58	11	130	56	M20	600	550	660	8-Ø24	6	22
HMC3 315S	4,6,8	618	547	1223	1053	430	299	420	80	170	22	71	14	160	56	M20	600	550	660	8-Ø24	6	22
HMC3 315M	2	618	546	1303	1163	430	299	420	65	140	18	58	11	130	56	M20	600	550	660	8-Ø24	6	22
HMC3 315M	4,6,8	618	546	1333	1163	430	299	420	80	170	22	71	14	160	56	M20	600	550	660	8-Ø24	6	22
HMC3 315L	2	618	546	1303	1163	430	299	420	65	140	18	58	11	130	56	M20	600	550	660	8-Ø24	6	22
HMC3 315L	4,6,8	618	546	1333	1163	430	299	420	80	170	22	71	14	160	56	M20	600	550	660	8-Ø24	6	22
HMC3 355M	2	699	664	1507	1367	489,5	330	460	75	140	20	67,5	12	130	56	M24	740	680	800	8-Ø24	6	25
HMC3 355M	4,6,8	699	664	1537	1367	489,5	330	460	95	170	25	86	14	160	56	M24	740	680	800	8-Ø24	6	25
HMC3 355L	2	699	664	1507	1367	489,5	330	460	75	140	20	67,5	12	130	56	M24	740	680	800	8-Ø24	6	25
HMC3 355L	4,6,8	699	664	1537	1367	489,5	330	460	95	170	25	86	14	160	56	M24	740	680	800	8-Ø24	6	25

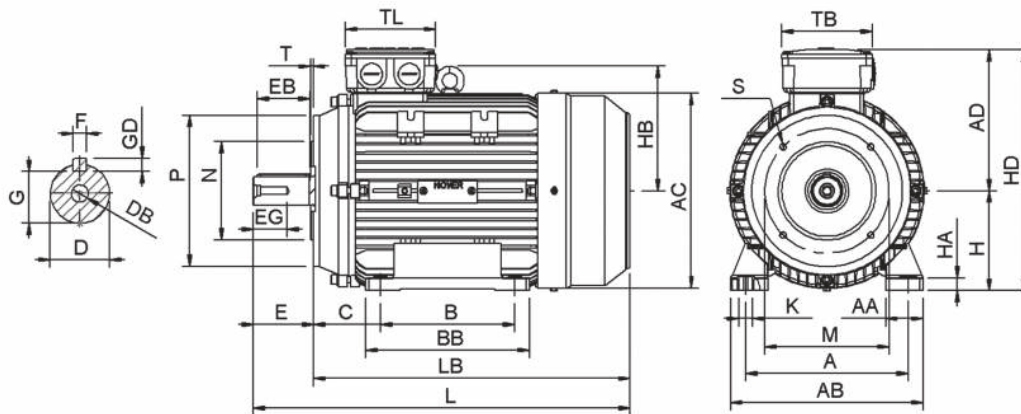
IE3 / B14



Motor type	Pole	AC	AD	D	DB	E	EB	EG	F	G	GD	L	LB	B14 flange					B14 big flange				
														M	N	P	S	T	M	N	P	S	T

Aluminium motors

HMA3 80	All	159	126	19	M6	40	32	16	6	15,5	6	298	258	100	80	120	4-M6	3	130	110	160	4-M8	3,5	100	100
HMA3 90S	All	175	132	24	M8	50	40	24	8	20	7	328	278	115	95	140	4-M8	3	130	110	160	4-M8	3,5	100	100
HMA3 90L	2,4,6	175	132	24	M8	50	40	24	8	20	7	362	312	115	95	140	4-M8	3	130	110	160	4-M8	3,5	100	100
HMA3 100L	All	198	147	28	M10	60	50	28	8	24	7	406	346	130	110	160	4-M8	3,5	165	130	200	4-M10	3,5	100	100
HMA3 112M	2,6,8	219	168	28	M10	60	50	28	8	24	7	390	330	130	110	160	4-M8	3,5	165	130	200	4-M10	3,5	120	120
HMA3 112M	4	219	168	28	M10	60	50	28	8	24	7	430	370	130	110	160	4-M8	3,5	165	130	200	4-M10	3,5	120	120
HMA3 132S	All	258	187	38	M12	80	70	30	10	33	8	463	383	165	130	200	4-M10	3,5	215	180	250	4-M12	4	120	120
HMA3 132M	All	258	187	38	M12	80	70	30	10	33	8	501	421	165	130	200	4-M10	3,5	215	180	250	4-M12	4	120	120

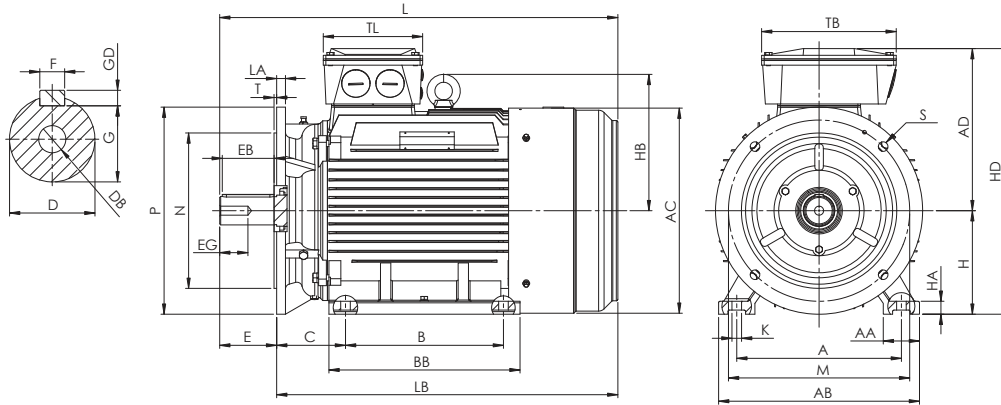


Motor type	Pole																					B14 flange				B14 big flange							
		A	AA	AB	AC	AD	B	BB	C	D	DB	E	EB	EG	F	G	GD	H	HA	HD	K	L	LB	M	N	P	S	T	M	N	P	S	T

Aluminium motors

HMA3 80	All	125	27	160	159	126	100	122	50	19	M6	40	32	16	6	15,5	6	80	12	206	10	298	258	100	80	120	4-M6	3	130	110	160	4-M8	3,5	100	100
HMA3 90S	All	140	35	177	175	132	100	155	56	24	M8	50	40	24	8	20	7	90	13	222	10	328	278	115	95	140	4-M8	3	130	110	160	4-M8	3,5	100	100
HMA3 90L	2,4,6	140	35	177	175	132	125	155	56	24	M8	50	40	24	8	20	7	90	13	222	10	362	312	115	95	140	4-M8	3	130	110	160	4-M8	3,5	100	100
HMA3 100L	All	160	42	205	198	147	140	176	63	28	M10	60	50	28	8	24	7	100	12	247	12	406	346	130	110	160	4-M8	3,5	165	130	200	4-M10	3,5	100	100
HMA3 112M	2,6,8	190	45	222	219	168	140	180	70	28	M10	60	50	28	8	24	7	112	13	280	12	390	330	130	110	160	4-M8	3,5	165	130	200	4-M10	3,5	120	120
HMA3 112M	4	190	45	222	219	168	140	180	70	28	M10	60	50	28	8	24	7	112	13	280	12	430	370	130	110	160	4-M8	3,5	165	130	200	4-M10	3,5	120	120
HMA3 132S	All	216	50	256	258	187	140	180	89	38	M12	80	70	30	10	33	8	132	16,5	319	12	463	383	165	130	200	4-M10	3,5	215	180	250	4-M12	4	120	120
HMA3 132M	All	216	50	256	258	187	178	218	89	38	M12	80	70	30	10	33	8	132	16,5	319	12	501	421	165	130	200	4-M10	3,5	215	180	250	4-M12	4	120	120

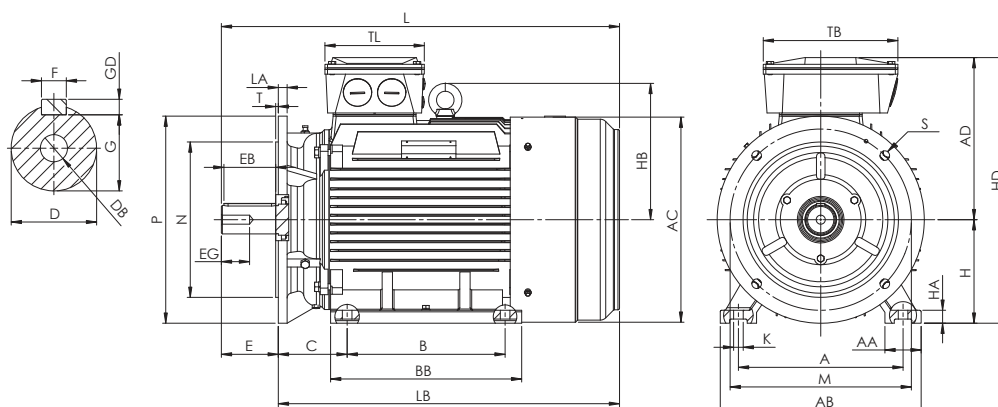
IE3 / B35



Motor type	Pole	A	AA	AB	AC	AD	B	BB	C	D	DB	E	EB	EG	F	G	GD	H	HA	HB	HD	K	L	LA	LB	M	N	P	S	T	TB	TL
------------	------	---	----	----	----	----	---	----	---	---	----	---	----	----	---	---	----	---	----	----	----	---	---	----	----	---	---	---	---	---	----	----

Aluminium motors

HMA3 80	All	125	27	160	159	126	100	122	50	19	M6	40	32	16	6	15,5	6	80	12		206	10	298	10	258	165	130	200	4-Ø12	3,5	100	100
HMA3 90S	All	140	35	177	175	132	100	155	56	24	M8	50	40	24	8	20	7	90	13		222	10	328	10	278	165	130	200	4-Ø12	3,5	100	100
HMA3 90L	All	140	35	177	175	132	125	155	56	24	M8	50	40	24	8	20	7	90	13		222	10	362	10	312	165	130	200	4-Ø12	3,5	100	100
HMA3 100L	All	160	42	205	198	147	140	176	63	28	M10	60	50	28	8	24	7	100	12	135	247	12	406	14	346	215	180	250	4-Ø14,5	4	100	100
HMA3 112M	2,6,8	190	45	222	219	168	140	180	70	28	M10	60	50	28	8	24	7	112	13	145	280	12	390	14	330	215	180	250	4-Ø14,5	4	120	120
HMA3 112M	4	190	45	222	219	168	140	180	70	28	M10	60	50	28	8	24	7	112	13	145	280	12	430	14	370	215	180	250	4-Ø14,5	4	120	120
HMA3 132S	All	216	50	256	258	187	140	180	89	38	M12	80	70	30	10	33	8	132	16,5	165	319	12	463	15	383	265	230	300	4-Ø14,5	4	120	120
HMA3 132M	All	216	50	256	258	187	178	218	89	38	M12	80	70	30	10	33	8	132	16,5	165	319	12	501	15	421	265	230	300	4-Ø14,5	4	120	120
HMA3 160M	All	254	55	302	314	245	210	260	108	42	M16	110	100	36	12	37	8	160	18	148	405	16	619	15	509	300	250	350	4-Ø18,5	5	160	150
HMA3 160L	All	254	55	302	314	245	254	304	108	42	M16	110	100	36	12	37	8	160	18	148	405	16	663	15	553	300	250	350	4-Ø18,5	5	160	150



Motor type	Pole	A	AA	AB	AC	AD	B	BB	C	D	DB	E	EB	EG	F	G	GD	H	HA	HB	HD	K	L	LA	LB	M	N	P	S	T	TB	TL
------------	------	---	----	----	----	----	---	----	---	---	----	---	----	----	---	---	----	---	----	----	----	---	---	----	----	---	---	---	---	---	----	----

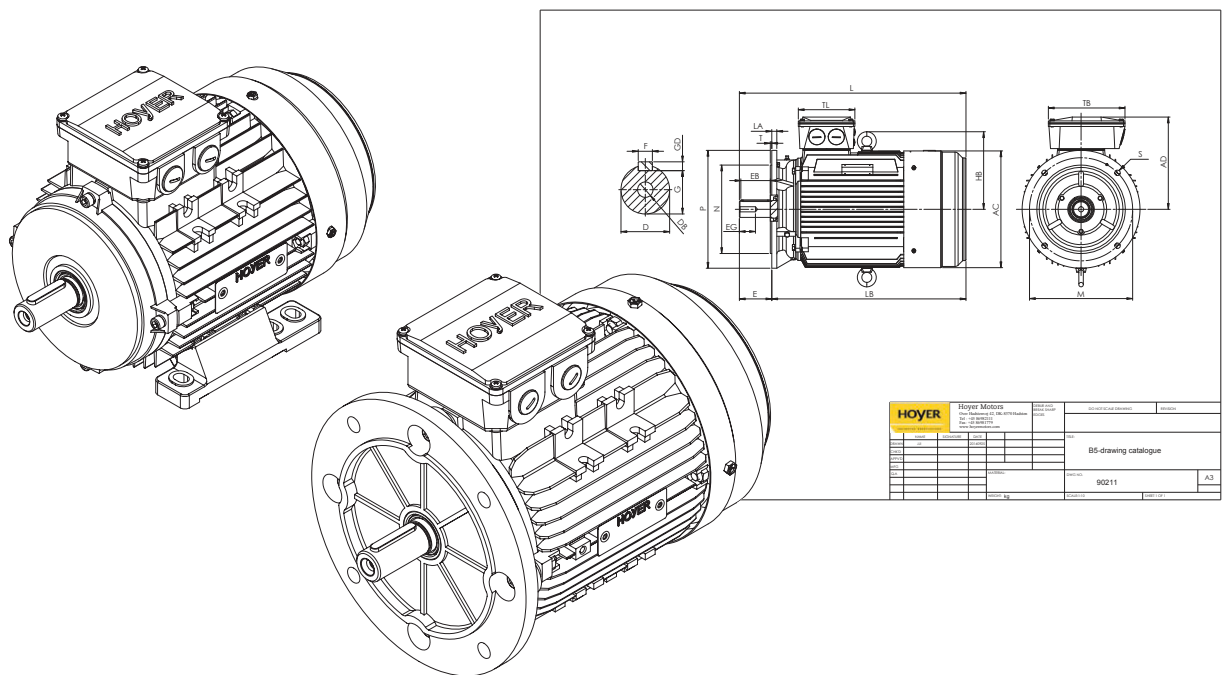
Cast iron motors

HMC3 160M	All	254	65	314	313	276	210	260	108	42	M16	110	100	36	12	37	8	160	20	221	436	14,5	610	14	500	300	250	350	4-Ø18,5	5	218	162
HMC3 160L	All	254	65	314	313	276	254	304	108	42	M16	110	100	36	12	37	8	160	20	221	436	14,5	654	14	544	300	250	350	4-Ø18,5	5	218	162
HMC3 180M	All	279	70	349	354	292	241	311	121	48	M16	110	100	40	14	42,5	9	180	22	237	472	14,5	686	15	576	300	250	350	4-Ø18,5	5	218	162
HMC3 180L	All	279	70	349	354	292	279	349	121	48	M16	110	100	40	14	42,5	9	180	22	237	472	14,5	724	15	614	300	250	350	4-Ø18,5	5	218	162
HMC3 200L	All	318	70	388	396	313	305	369	133	55	M20	110	100	50	16	49	10	200	25	264	513	18,5	769	17	659	350	300	400	4-Ø18,5	5	260	192
HMC3 225S	4,6,8	356	75	431	445	336	286	369	149	60	M20	140	130	56	18	53	11	225	28	285	561	18,5	823	20	683	400	350	450	8-Ø18,5	5	260	192
HMC3 225M	2	356	75	431	445	336	311	393	149	55	M20	110	100	56	16	49	10	225	28	285	561	18,5	818	20	708	400	350	450	8-Ø18,5	5	260	192
HMC3 225M	4,6,8	356	75	431	445	336	311	393	149	60	M20	140	130	56	18	53	11	225	28	285	561	18,5	848	20	708	400	350	450	8-Ø18,5	5	260	192
HMC3 250M	2	406	80	484	484	374	349	445	168	60	M20	140	130	56	18	53	11	250	30	316	624	24	909	22	769	500	450	550	8-Ø18,5	5	305	230
HMC3 250M	4,6,8	406	80	484	484	374	349	445	168	65	M20	140	130	56	18	58	11	250	30	316	624	24	909	22	769	500	450	550	8-Ø18,5	5	305	230
HMC3 280S	2	457	85	542	546	403	368	485	190	65	M20	140	130	56	18	58	11	280	35	361	683	24	959	22	819	500	450	550	8-Ø18,5	5	305	230
HMC3 280S	4,6,8	457	85	542	546	403	368	485	190	75	M20	140	130	56	20	67,5	12	280	35	361	683	24	979	22	839	500	450	550	8-Ø18,5	5	305	230
HMC3 280M	2	457	85	542	546	403	419	536	190	65	M20	140	130	56	18	58	11	280	35	361	683	24	1010	22	870	500	450	550	8-Ø18,5	5	305	230
HMC3 280M	4,6,8	457	85	542	546	403	419	536	190	75	M20	140	130	56	20	67,5	12	280	35	361	683	24	1030	22	890	500	450	550	8-Ø18,5	5	305	230
HMC3 315S	2	508	120	628	618	546	406	570	216	65	M20	140	130	56	18	58	11	315	45	430	862	28	1193	22	1053	600	550	660	8-Ø24	6	420	299
HMC3 315S	4,6,8	508	120	628	618	547	406	570	216	80	M20	170	160	56	22	71	14	315	45	430	862	28	1223	22	1053	600	550	660	8-Ø24	6	420	299
HMC3 315M	2	508	120	628	618	546	457	680	216	65	M20	140	130	56	18	58	11	315	45	430	861	28	1303	22	1163	600	550	660	8-Ø24	6	420	299
HMC3 315M	4,6,8	508	120	628	618	546	457	680	216	80	M20	170	160	56	22	71	14	315	45	430	861	28	1333	22	1163	600	550	660	8-Ø24	6	420	299
HMC3 315L	2	508	120	628	618	546	508	680	216	65	M20	140	130	56	18	58	11	315	45	430	861	28	1303	22	1163	600	550	660	8-Ø24	6	420	299
HMC3 315L	4,6,8	508	120	628	618	546	508	680	216	80	M20	170	160	56	22	71	14	315	45	430	861	28	1333	22	1163	600	550	660	8-Ø24	6	420	299
HMC3 355M	2	610	116	726	699	664	560	750	254	75	M24	140	130	56	20	67,5	12	355	52	489,5	1019	28	1507	25	1367	740	680	800	8-Ø24	6	460	330
HMC3 355M	4,6,8	610	116	726	699	664	560	750	254	95	M24	170	160	56	25	86	14	355	52	489,5	1019	28	1537	25	1367	740	680	800	8-Ø24	6	460	330
HMC3 355L	2	610	116	726	699	664	630	750	254	75	M24	140	130	56	20	67,5	12	355	52	489,5	1019	28	1507	25	1367	740	680	800	8-Ø24	6	460	330
HMC3 355L	4,6,8	610	116	726	699	664	630	750	254	95	M24	170	160	56	25	86	14	355	52	489,5	1019	28	1537	25	1367	740	680	800	8-Ø24	6	460	330

Drawings and Website

Drawings

At hoyermotors.com both 2D and 3D drawings of our IE3 programme are available for download.



Website

As well as various drawings you are able to find data sheets, type tests and other relevant documentation and information at hoyermotors.com



Other Hoyer Catalogues



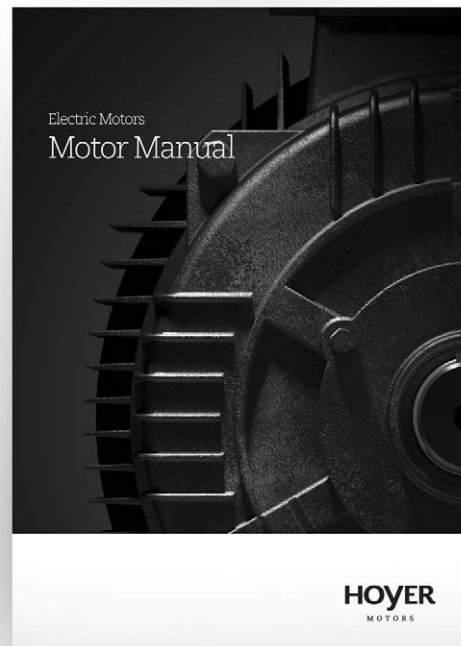
HOYER
HOYER



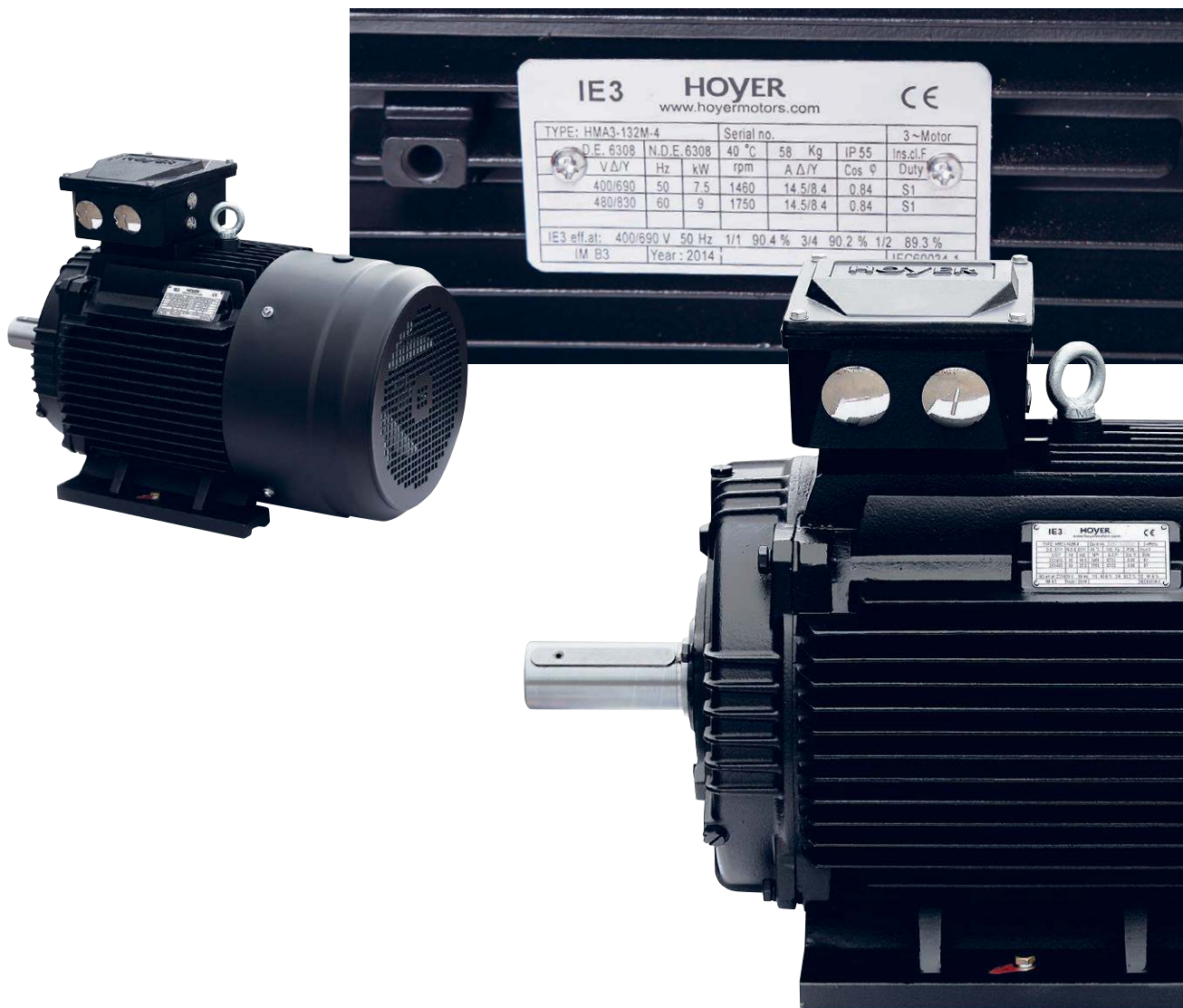
HOYER
HOYER



HOYER
HOYER



HOYER
HOYER



IE3		HOYER		CE	
		www.hoyermotors.com			
TYPE: HMA3-132M-4		Serial no.		3~Motor	
D.E. 6308	N.D.E. 6308	40 °C	58 Kg	IP 55	Ins.cl.F
V Δ/Y	Hz	kW	rpm	A Δ/Y	cos φ
400/690	50	7.5	1460	14.5/8.4	0.84
480/830	60	9	1750	14.5/8.4	0.84
				S1	
				S1	
IE3 eff.at: 400/690 V 50 Hz 1/1 90.4 % 3/4 90.2 % 1/2 89.3 %					
IM B3		Year: 2014			

HOYER

EXCEEDING EXPECTATIONS

Hoyer Motors, IE3 Motors, May 2021

Head Offices

Denmark
Over Hadstensevej 42 · DK-8370 Hadsten
T +45 86 98 21 11 · F +45 86 98 17 79
hoyermotors@hoyermotors.com
hoyermotors.com

China

19 Jingwu Middle Road · Beilun District
Ningbo 315821 · Zhejiang
T +86 21 8036 4698 · F +86 574 2628 1573
hoyermotors@hoyermotors.cn
hoyermotors.cn

Branch Offices

Germany
Landsberger Straße 155 · 80687 München
T +49 89 700 88 235 · F +49 89 543 56 333
germany@hoyermotors.com
hoyermotors.com

Sweden

Liljeholmsstranden 5 · PO box 44017
SE-100 73 Stockholm
T +46 8 446 877 13 · F +46 8 446 877 20
sweden@hoyermotors.com
hoyermotors.com

Benelux

Vasteland 78 · 3011 BN, Rotterdam
T +31 10 420 35 20 · F +31 10 420 44 51
benelux@hoyermotors.com
hoyermotors.com

Korea

302ho · Code square, 3150-1
Daejeo 2-dong · Gangseo-gu · Busan · Korea
T +82 51 944 1268 · F +82 51 996 0252
korea@hoyermotors.com
hoyermotors.com

Japan

Mizunobu Bldg 7F, 1-11-1, Kitasaiwai
Nishi-ku Yokohama
T +81 45 670 2323
japan@hoyermotors.com
hoyermotors.com

USA

Hoyer Inc · 5826 Cheswood
Houston TX 77087
wind@hoyermotors.com